

MIRRORS
COLLECTION

BelBagno



All measurements within this brochure are nominal and are subject to change. The manufacture / distributor takes no responsibilities for printing errors. All prices are RRP, include GST and are subject to change without notice.

Paper fibre is from sustainably managed forests and controlled sources.





CONTENT

SMART SHAVING CABINET 11

MARMO 17

Q-LINE 18

LED MIRROR 21

TRIANGOLO LED MIRROR 25

SOHO LED MIRROR 27

BUCCIANO LED MIRROR 29

THE BELBAGNO STANDARDS

SUSTAINABILITY

A lot of time, effort and research goes into our Belbagno range. We do this to ensure that not only are our products suitable and functional, but to allow room for product sustainability. To ensure our products are sustainable, we test our products based on 6 contributing factors. These include: Resource Base, Life Cycle Impacts and Benefits, Human and Ecological toxicity, Socio-Economic Impacts and Benefits, Total Costs and Life Cycle Costs, and Technical Performance. The end result here at Belbagno is simple, we are driven by the desire to consistently measure sustainable

performance of our products and drive a competition to continually improve them. We understand the importance of providing a space to relax, unwind and rejuvenate so it is only right that we deliver to you sustainable and quality products to make your house a home.

CERTIFICATIONS

BelBagno products are Watermark Certified, WELS registered and comply with all relevant Australian plumbing standards.

QUALITY COMMITMENT:

Here at BelBagno, we believe that product sustainability plays

a crucial part in making our products the best of the best. That's why, all Belbagno products are tested for quality to ensure we provide not only product satisfaction but also customer satisfaction.

BelBagno is committed to achieving the highest of standards, whether that is perfecting in our quality or simply, everything we do. This is a genuine act to provide the best customer satisfaction we can deliver.

GLI STANDARD BELBAGNO

SOSTENIBILITÀ

Noi di Belbagno dedichiamo molto tempo, impegno e ricerca nella nostra gamma. Lo facciamo per garantire che non solo i nostri prodotti siano adatti e funzionali, ma per lasciare spazio alla sostenibilità del prodotto. Per garantire sostenibilità, testiamo i nostri prodotti in base a 6 fattori contribuenti. Questi includono: risorse di base, impatti e benefici del ciclo di vita, tossicità umana ed ecologica, impatti e benefici socio-economici, costi totali e costi del ciclo di vita e prestazioni tecniche. Il risultato finale qui a Belbagno è semplice, siamo guidati dal desiderio di misurare costantemente le prestazioni

sostenibili dei nostri prodotti e guidare una competizione per migliorarli continuamente. Comprendiamo l'importanza di fornire uno spazio per rilassarsi, distendersi e ringiovanire, quindi è essenziale offrire prodotti sostenibili e di qualità per rendere la tua casa una casa.

CERTIFICAZIONI

I prodotti BelBagno sono certificati Watermark, registrati WELS e conformi a tutti gli standard idraulici pertinenti australiani.

IMPEGNO PER GARANTIRE QUALITÀ

Noi di BelBagno crediamo che la sostenibilità del prodotto

svolga un ruolo cruciale nel rendere i nostri prodotti il meglio del meglio. Ecco perché tutti i prodotti Belbagno sono testati per la qualità per garantire non solo la soddisfazione del prodotto ma anche la soddisfazione del cliente. BelBagno si impegna a raggiungere i più alti standard, sia che si tratti di perfezionare la nostra qualità o semplicemente in tutto ciò che facciamo. Questo è un atto genuino che offriamo per soddisfare al meglio i nostri clienti.

OUR MATERIALS

ACRYLIC BATHS

We pay great attention to material selection as only carefully processed best ingredients together with innovative design result in top quality product with added value. Cast acrylic (PMMA) is used for the production of bath tubs. It retains its shape in the long term and there is no danger of cracks or distortion. We can therefore provide our baths with extended warranties.

SOLID SURFACE BATH

Our solid surface bathtubs are manufactured through a continuous casting process, creating a smooth, fully homogeneous material. This gives us bathtubs that are highly resistant and easy to maintain, while also non-porous and hygienic. Their luxuriously soft finish and heat retaining properties have quickly made them firm favourites. Solid surface is a

compact, non-porous material which is a homogeneous mix of 1/3 resin and 2/3 aluminium hydroxide, a natural mineral with which many people are in daily contact as it constitutes, for example, an important ingredient of toothpaste. Completely non-toxic and recyclable. The surface is smooth, silky to the touch, durable and easy to clean.

CABINETS

BelBagno furniture is yet another example of the use of exceptional materials. Our vanity is manufactured using quality chipboard treated by high-quality moisture impregnation AMT (Anti Moisture Treatment) from leading European manufacturers.

TOILETS

Our toilets are made of Vitreous China, a material with a reduced environmental impact and has been conceived while paying

particular attention to water saving: its flushing system uses only 3.5 liters of water. The plaster molds that shape, the toilet bowls are made by hand. Nano glaze enamel guarantees a perfectly smooth and easy to clean surface abrasions and external agents. The extreme ease of cleaning also allows a lower consumption of water and detergents in respect of the environment.

ALUMINIUM

Our shaving cabinets made of aluminium, which is a soft, light metal, with a bright silver colour due to the thin oxide layer which quickly forms when it is exposed to the air. It is extremely resistant to atmospheric corrosion and therefore does not require any protective varnish. Aluminium is neither magnetic, nor toxic, nor flammable.

CARE

All our products are manufactured with carefully selected materials, undergo strict quality controls and are designed to last. The minor alterations in colour or shade of the various items are the result of manual and not industrial production and guarantee a unique product. They should therefore be considered as precious features and not defects to complain about. Careful maintenance and several simple actions ensure that sanitary ware remains as good

as new and retains the visual and functional features that guarantee the uniqueness and craftsmanship of BelBagno products. We suggest always using a damp sponge to clean the basins and sanitary ware. Avoid using abrasive, caustic or aggressive products that could damage or dull the ceramic. To ensure perfect hygiene and remove any traces of limescale or soap, it is recommended to clean them thoroughly every now and then, although again using

a non-abrasive detergent. Wash our bathroom products regularly with warm water and soap and dry the surfaces thoroughly with a soft cloth after use, and also avoid using sharp or particularly rough objects, to ensure they remain in perfect condition.

For full product care information, warranty and returns, please go to our website

www.belbagno.com.au

I NOSTRI MATERIALI

VASCA ACRILICO

Prestiamo grande attenzione alla selezione dei materiali poiché solo i migliori ingredienti lavorati con cura, insieme a un design innovativo si traducono in un prodotto di alta qualità con un valore aggiunto. L'acrilico colato (PMMA) viene utilizzato per la produzione delle vasche da bagno. Mantiene la sua forma a lungo termine e non c'è pericolo di crepe o deformazioni. Possiamo quindi fornire le nostre vasche da bagno con garanzie estese.

SUPERFICI SOLIDE

Le nostre vasche da bagno con superfici solide, sono prodotte attraverso un processo di colata continua, creando un materiale liscio e completamente omogeneo. Questo ci permette di avere vasche da bagno altamente resistenti e di facile manutenzione, ma anche non porose e igieniche. La loro finitura lussuosamente morbida e le proprietà di mantenimento del calore li hanno rapidamente resi i preferiti.

La superficie solida e' un materiale compatto e non poroso, composto in modo omogeneo da 1/3 di resina acrilica e da 2/3 di idrossido di alluminio, un minerale naturale con il quale molte persone si trovano quotidianamente a contatto, poiché costituisce, ad esempio, un componente importante dei dentifrici. Completamente atossico e riciclabile. La superficie si presenta omogenea, setosa al tatto, durevole e facile da pulire.

MOBILETTI DA BAGNO

I mobili BelBagno sono l'ennesimo esempio di utilizzo di eccezionale materiali. I nostri mobili da bagno vengono prodotti utilizzando truciolare di qualità trattato da impregnazione di umidità di alta qualità AMT (trattamento anti-umidità) da principali produttori europei.

WC

Il nostro bagno è realizzato in Vetrochina, materiale ceramico a basso impatto ambientale

ed è stato concepito ponendo particolare attenzione al risparmio idrico: il suo sistema di scarico utilizza solamente 3,5 litri di acqua. Gli stampi in gesso che plasmano la forma del vaso sono realizzati manualmente. Lo smalto Higherglaze garantisce una superficie perfettamente liscia e facile da pulire. L'estrema facilità di pulizia consente inoltre un minor consumo di acqua e detersivi nel rispetto dell'ambiente.

ALLUMINIO

I nostri armadietti da barba sono realizzati in alluminio. L'alluminio è un metallo morbido e leggero con un colore argenteo vivo, dovuto ad uno strato sottile di ossidazione che si forma rapidamente quando è esposto all'aria. È estremamente resistente alla corrosione atmosferica: per tale ragione non richiede nessuna verniciatura di protezione. Inoltre, l'alluminio non è magnetico, tossico o infiammabile.

CURA DEL PRODOTTO

Tutti i nostri prodotti sono realizzati con materiali accuratamente selezionati, sottoposti a severi controlli di qualità e progettati per durare nel tempo. Le piccole alterazioni di colore o tonalità dei vari articoli sono il risultato di una produzione manuale e non industriale e garantiscono un prodotto unico. Vanno quindi considerati come pregevoli caratteristiche e non difetti da lamentare. Un'attenta manutenzione e poche semplici azioni assicurano che i sanitari

restino come nuovi e conservino le caratteristiche visive e funzionali che garantiscono l'unicità e l'artigianalità dei prodotti BelBagno. Si consiglia di utilizzare sempre una spugna umida per la pulizia delle vasche e dei sanitari. Evitare l'uso di prodotti abrasivi, caustici o aggressivi che potrebbero danneggiare o opacizzare la ceramica. Per garantire una perfetta igiene e rimuovere ogni traccia di calcare o sapone, si consiglia di pulirli accuratamente di tanto in

tanto, con un detersivo non abrasivo. Assicurati di lavare regolarmente i nostri prodotti per il bagno con acqua tiepida e sapone e asciuga accuratamente le superfici con un panno morbido dopo l'uso. Evita inoltre di utilizzare oggetti appuntiti o particolarmente ruvidi, così che rimangano in perfette condizioni.

Per informazioni complete sulla cura del prodotto, sulla garanzia e sui resi, visitare il nostro sito Web www.belbagno.com.au

MIRROR

Specchi

From beauty salon to the bathroom- with varieties of form and finishes our mirrors create a play of reflections and light in any room of your house. With a multitude of models and lines, including Bucciano and Q-line range, our collection has crafted new standards in home personalisation, embodying personal taste and lifestyle. BelBagno mirrors feature natural elegance, that makes them fit gracefully in both private and public interiors.

Dal salone di bellezza al bagno-con varietà di forme e finiture, i nostri specchi creano giochi di riflessi e luce in ogni stanza della tua casa. Con una moltitudine di modelli e linee, tra cui la gamma Bucciano e Soho. La nostra collezione ha creato nuovi standard nella personalizzazione del proprio habitat che si sposano perfettamente con ogni gusto e stile di vita. Gli specchi BelBagno sono caratterizzati da una naturale eleganza, che li rende adatti a inserirsi con grazia sia su interni privati che pubblici.





Featuring SPC-1-500-II Smart shaving cabinet

SMART SHAVING CABINET

Range:
SPC-1-500-II

Specifications:

- Made of Anodized Aluminum
- Built-in power point, touch-free sensor switchers (RHS) and LED lights
- Overall dimensions: 500 x 125 x 700
- Includes 2 adjustable glass shelves
- Soft Close swing easy to adjust hinges
- Door features frameless double sided mirrors
- IP44 Rating, SAA approved
- Lights: 1x Internal and 1 x External LED light with touch free sensor, 220-240V, 50/60Hz
- Cooper free glass
- Must be installed no less than 30cm from RHS wall to operate underneath light

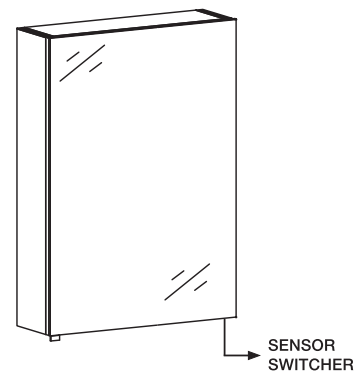
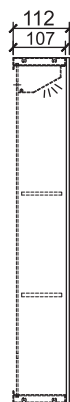
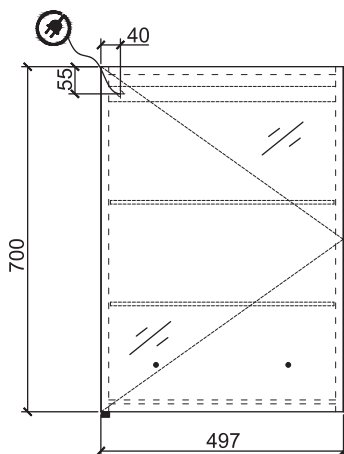
Material:

Exterior finish: Satin Anodized Aluminum

Interior finish: Satin Anodized Aluminum

Price:

\$ 890.00





Featuring SPC-2-900-II Smart shaving cabinet

SMART SHAVING CABINET

Range:
SPC-2-900-II

Specifications:

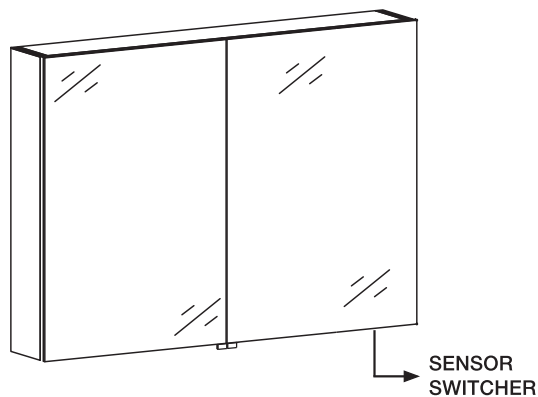
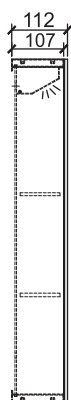
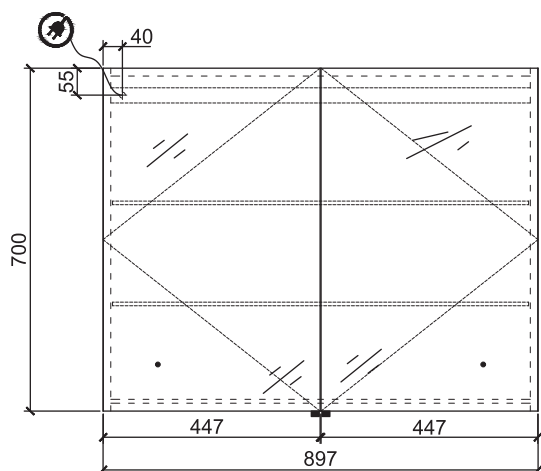
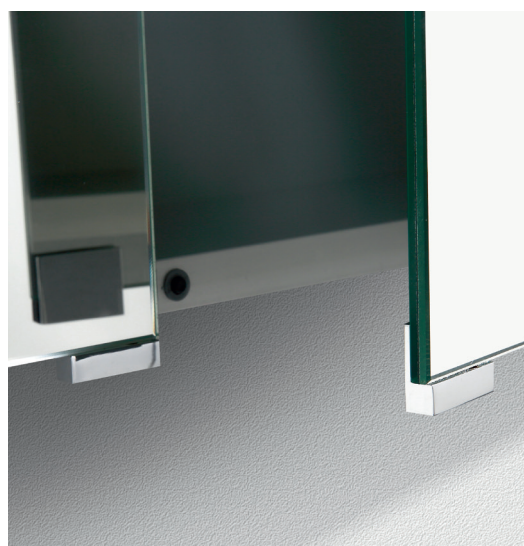
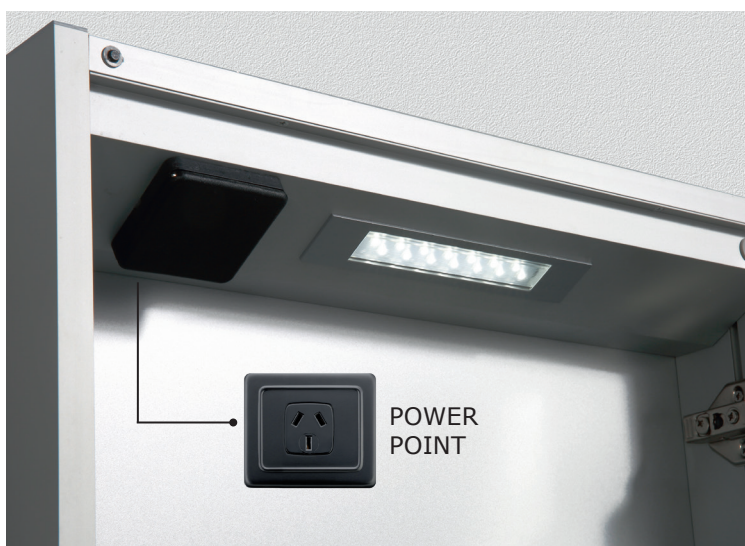
- Made of Anodized Aluminum
- Built-in power point, touch-free sensor switcher (RHS) and LED lights
- Overall dimensions: 900 x 125 x 700
- Includes 2 adjustable glass shelves
- Soft Close swing easy to adjust hinges
- Doors feature frameless double sided mirrors
- IP44 Rating, SAA approved
- Lights: 2 x Internal and 2 x External LED lights with touch free sensor, 220-240V, 50/60Hz
- Cooper free glass
- must be installed no less than 30cm from RHS wall to operate underneath lights

Material:

Exterior finish: Satin Anodized Aluminum
Interior finish: Satin Anodized Aluminum

Price:

\$ 1125.00



All prices are RRP, include GST and are subject to change without notice.



Showcasing SPC-3-1200-II Smart shaving cabinet with Ancona 1200mm in White Oak

SMART SHAVING CABINET

Range:
SPC-3-1200-II

Specifications:

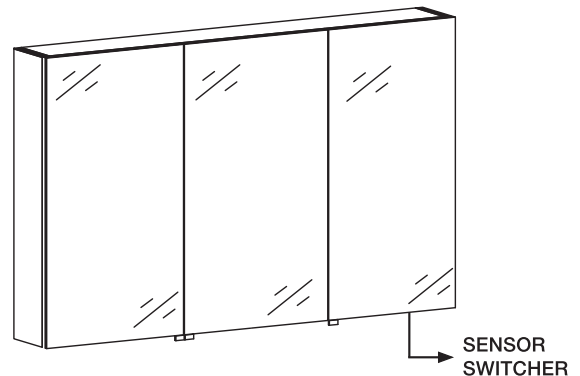
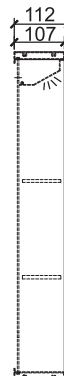
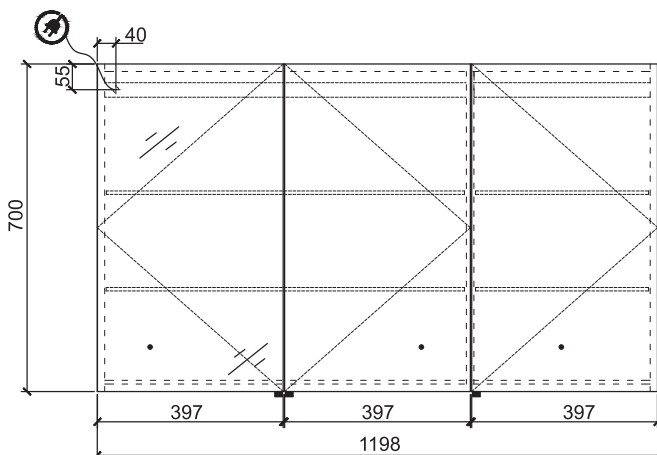
- Made of Anodized Aluminum
- Built-in power point, touch-free sensor switcher (RHS) and LED lights
- Overall dimensions: 1200 x 125 x 700
- Includes 2 adjustable glass shelves in each section
- Soft Close swing easy to adjust hinges
- Doors feature frameless double sided mirrors
- Three functional doors
- IP44 Rating, SAA approved
- Lights: 3 x Internal and 3 x External LED lights with touch free sensor, 220-240V, 50/60Hz
- Cooper free glass
- Must be installed no less than 30cm from RHS wall to operate underneath lights

Material:

Exterior finish: Satin Anodized Aluminum
Interior finish: Satin Anodized Aluminum

Price:

\$ 1340.00



All prices are RRP, include GST and are subject to change without notice.



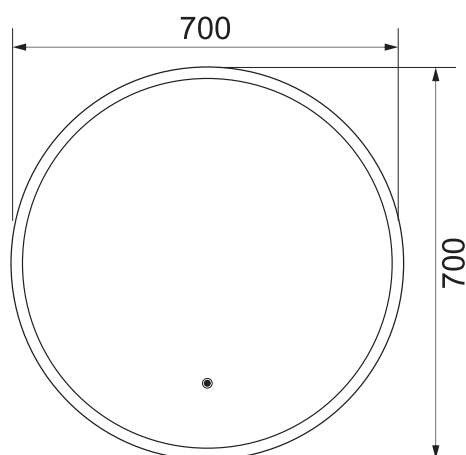
Featured Marmo mirror

Range:
SPC-MARMO-LED

- Specifications:**
Round LED Mirror with solid surface frame and demister.
- Overall dimensions: 700 x 35 x 700
 - IP44 Rating, SAA approved
 - Lights: Touch sensor, 220-240V, 50/60Hz
 - Features Demister
 - Cooper free glass

Material:
Frame: Solid surface

Price:
\$ 1115.00



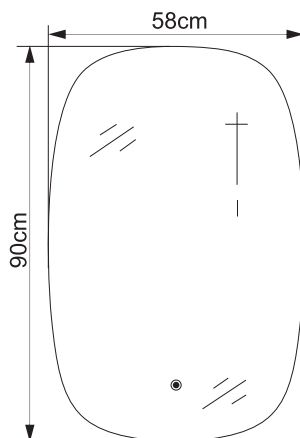
Q-LINE

Range:
SPC-QLINE-LED

Specifications:
Gorgeous oval shape Q-Line Led mirror with touch sensor and demister.

- Overall dimensions: 580 x 25 x 900
- IP44 Rating, SAA approved
- Lights: Touch sensor, 220-240V, 50/60Hz
- Features Demister
- Cooper free glass

Price:
\$ 1115.00





Showcased Q-line Led mirror



Showcased SPC-600-700-LED

LED MIRROR

Range:

SPC-600-700-LED

Specifications:

- Overall dimensions: 600 x 25 x 700
- IP44 Rating, SAA approved
- Lights: Touch sensor, 220-240V, 50/60Hz

Price:

\$ 730.00

Range:

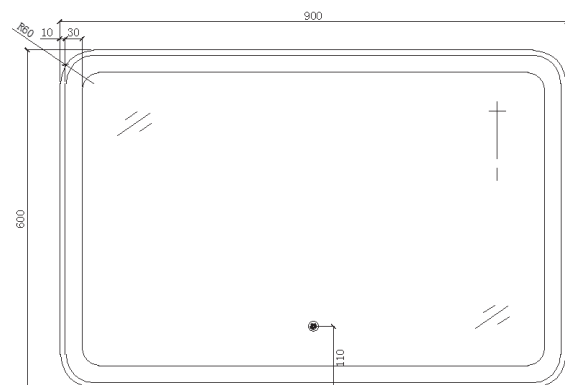
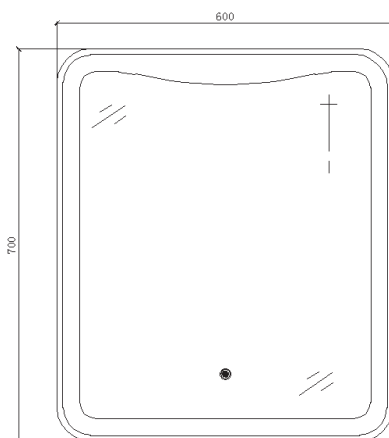
SPC-900-600-LED

Specifications:

- Overall dimensions: 900 x 25 x 600
- IP44 Rating, SAA approved
- Lights: Touch sensor, 220-240V, 50/60Hz

Price:

\$ 850.00





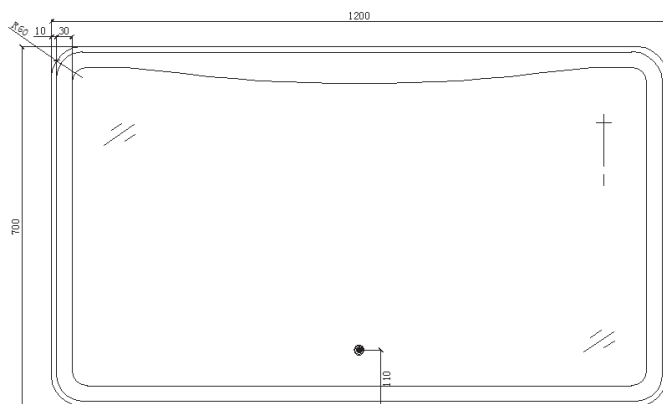
Featured - SPC-1200-700-LED

LED MIRROR

Range:
SPC-1200-700-LED

- Specifications:**
- Overall dimensions: 1200 x 25 x 700
 - IP44 Rating, SAA approved
 - Lights: Touch sensor, 220-240V, 50/60Hz
 - Cooper free glass

Price:
\$ 995.00





Showcased - Triangolo LED mirror

TRIANGOLO LED MIRROR

Range:

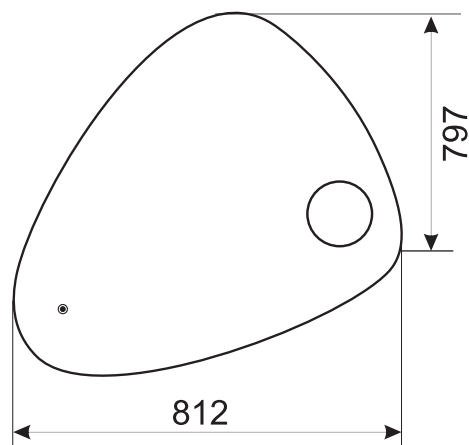
SPC-800-TRIANGOLO-LED

Specifications:

- Overall dimensions: 797 x 30 x 812
- IP44 Rating, SAA approved
- Lights: Touch sensor, 220-240V, 50/60Hz
- Cooper free glass

Price:

\$ 935.00





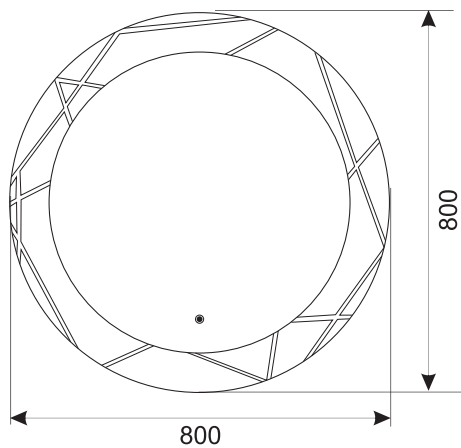
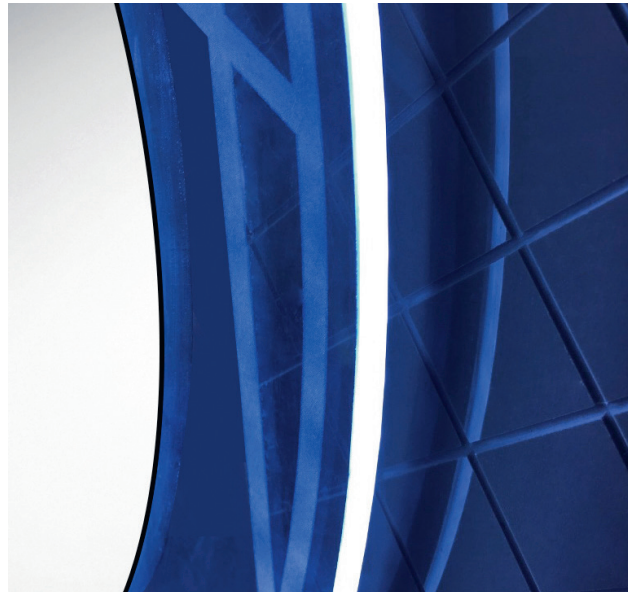
Showcased - Soho LED mirror

SOHO LED MIRROR

Range:
SPC-800-SOHO-LED

- Specifications:**
Round LED mirror with delicate yet geometric trim,
demister and touch sensor operated
- Overall dimensions: 800 x 25 x 800
 - IP44 Rating, SAA approved
 - Lights: Touch sensor, 220-240V, 50/60Hz
 - Demister

Price:
\$ 940.00





Showcased - Bucciano LED mirror

BUCCIANO LED MIRROR

Range:

SPC-800-BUCCIANO-LED

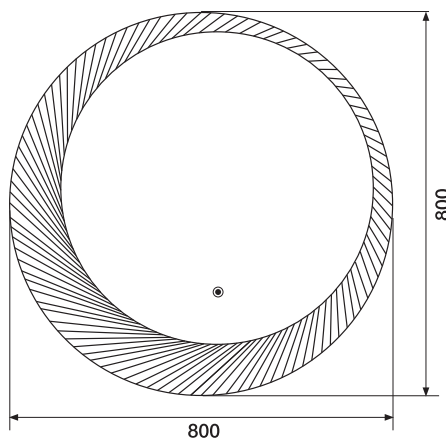
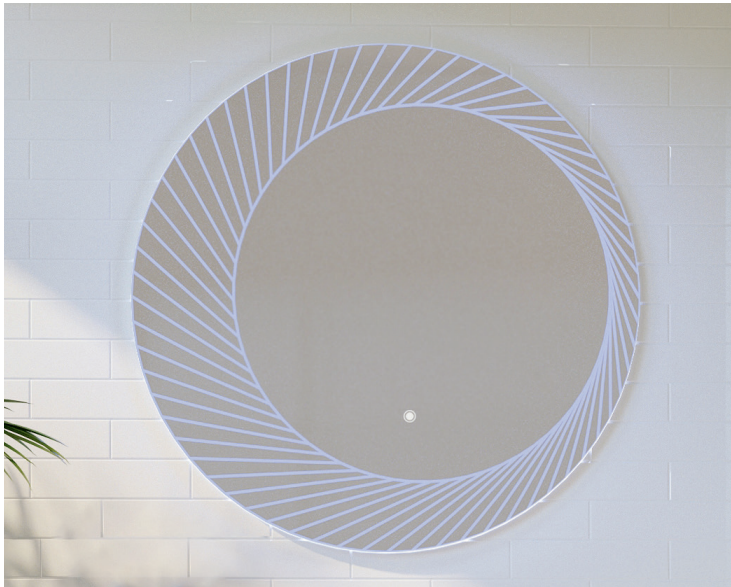
Specifications:

Sophisticated round LED mirror with delicate yet geometric trim, demister and touch sensor operated

- Overall dimensions: 800 x 25 x 800
- IP44 Rating, SAA approved
- Lights: Touch sensor, 220-240V, 50/60Hz
- Cooper free glass
- Demister

Price:

\$ 1050.00



WARRANTY*

| PRODUCT TYPE | | PERIOD OF REPLACEMENT PRODUCT WARRANTY (excluding labour & spare parts*) | |
|------------------|--------------------|---|-------------------|
| Toilets | 25 years | Vanities | 5 years / 7 years |
| Seat cover | 1 year | LED Mirror Cabinets | 5 years |
| Bidets | 15 years | LED Mirrors | 1 year |
| Ceramic Basins | 15 years | Accessories | 1 year |
| Acrylic bathtubs | 5 years / 10 years | Spare parts | 1 years |

*Parts subject to wear and tear such as seals and rubbers are not covered by warranty
 *If flushing cleaners or chemical additives are used in the cistern, all warranties will be void.

Parts covered by warranty:

- Geberit Inlet & Outlet- 12 months replacement warranty
- Geberit button sets and overflow covers- 12 months replacement warranty
- Special finish overflow covers- 12 months replacement warranty
- Link & Flush Pipes- 12 months replacement warranty
- Geberit in-wall cisterns-36 months replacement warranty
- Geberit button for inwall cisterns(excluding Alpha)- 12 months replacement warranty
- Toilet hinges and soft-close mechanisms- 12 months replacement warranty
- Mirror cabinet hinges and soft-close mechanisms-12 months replacement warranty
- Cabinet soft close hinges Blum- 12 months replacement warranty
- Cabinet soft close hinges and drawer runners- 12 months replacement warranty

We will rectify free of charge for parts within these periods, any fault due to a defect in materials appearing within the applicable warranty period subject to the conditions set out below.

Claims for BelBagno products which were installed and used according to installation instructions and by a licensed plumber (electrician for LED mirrors and cabinets) only are accepted.

IMPORTANT! PLEASE READ PRIOR TO INSTALLATION. Prior to installation it is important to unpack & inspect your products to ensure no damage has occurred in transit and that the product IS CORRECT. If damage has occurred, or a visible defect exists, or the product is not correct - do not proceed with installation.

Contact distributor that you purchased this product from with any enquiries regarding the condition of the product or any defects PRIOR to installation.

NO claims for damages / defects will be recognized after installation.

Regardless of any warranty service within the warranty period, the warranty shall expire at the end of the time frame set out above from original date of purchase.

RETURN POLICY

Any non-price list items are regarded as Specially Made Orders and are not returnable/refundable under any circumstances.

Products supplied for Projects cannot be returned/refunded under any circumstances. A return fee of 25% applies to returns. Goods are to be returned to BelBagno warehouse. The packaging must be in perfect condition.

We are unable to accept return of any goods that you have attempted to install or have used. Pre order/ special order items are to be accompanied by a 50% non-refundable deposit at the time of order.

BelBagno endeavours at all times to be able to supply items listed in the price list in retail quantities. For out of stock items BelBagno will notify the reseller of an approximate ETA.

Transit / Transportation Damage

The process, should goods arrive at a resellers premises broken, is as follow: Should an item be visibly/ obviously damaged do not accept the delivery and advise the driver to return to sender. Advise BelBagno.

Following acceptance of delivery, items should be inspected within 24 hours. After this period, product is deemed to be in good order and cannot be returned for credit.

Should a damage be discovered, please do the following:

1. Advise freight company
2. Advise BelBagno
3. Take digital photo of damage and email to sales@belbagno.com.au
4. Replacement stock can then be organised



@BelBagno_au