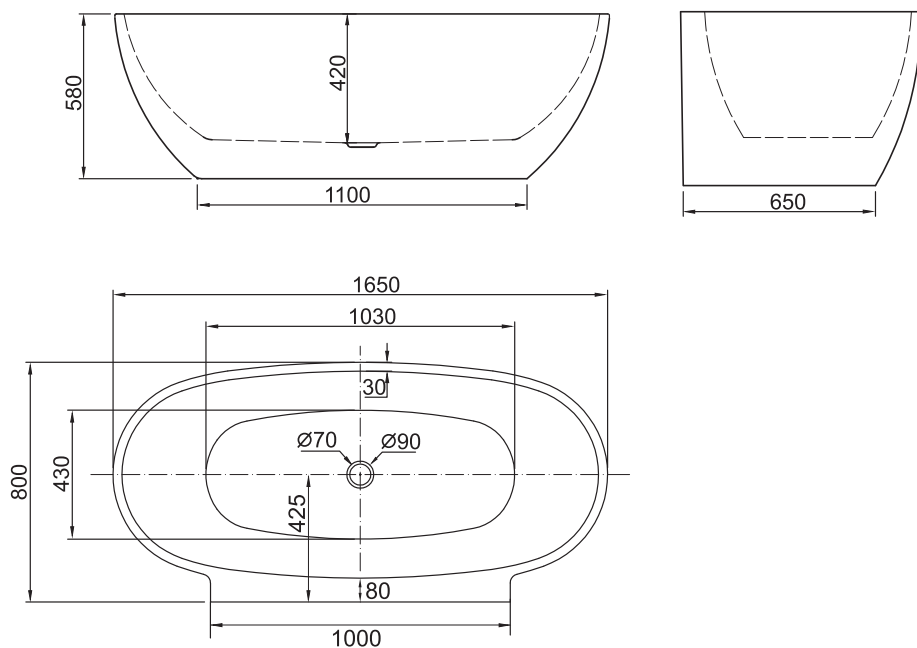


# PALERMO FREESTANDING BATHTUB

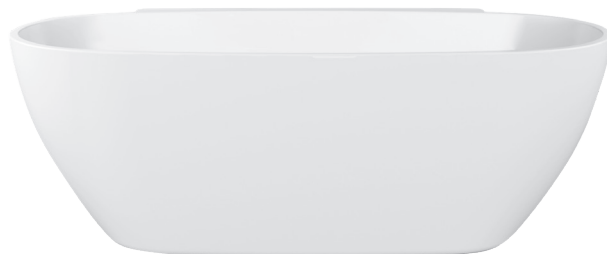
**BB1618**



Dimensions are nominal measurements only

## SPECIFICATIONS

Recommended use	Domestic, hotel and commercial
Material	Cast Acrylic (PMMA)
Colour	Semi Gloss White
Weight	44 kg
Capacity	250 Litres
Overflow	No
Taphole availability	No Taphole. Tapware should be floor or wall mounted
Plug and Waste	Suits 40mm Non Overflow Waste
Fixing	Silicone to Floor



To see the complete BelBagno range go to [www.belbagno.com.au/bathtubs/](http://www.belbagno.com.au/bathtubs/)

## CLEANING RECOMMENDATIONS

We recommend the use of soapy water or approved cleaners.

This product should not be cleaned with abrasive materials.

Damage caused by any improper treatment is not covered by the product warranty . Refer to Warranty Conditions.

# PALERMO FREESTANDING BATHTUB

## INSTALLATION INSTRUCTIONS

Note: Please check the surface thoroughly before installing. Installation of bath will be taken as acceptance of product.

It is important to install the product in accordance with the installation instructions below.

This installation guide does not include details of waste connection; final decision about installation of waste connection should be taken by a suitably qualified person in accordance with the plumbing code AS/NZS 3500.

1. Install waste pipe and trap - taking into consideration the waste position of the bath. Make sure that the surface where the bathtub will be placed is perfectly flat, clean, free of any excess humidity and offers adequate support.
2. For installation where access is restricted eg slab floor, or second story floor, the use of a Plumbdinger waste connector is recommended (sell separately).
3. Fit selected waste to bath and ensure waste is siliconed around Base.
4. Inspect thoroughly for leaks.