

TOILET SUITE

MODENA

680x390x850

BelBagno Code

BB0155



SOFT CLOSE original TAKE OFF original

■ GEBERIT

WATER INLET: LHS /RHS Pan,
Rear top LHS cistern

FLOOR OUTLET: 'S' trap 140-150

WALL OUTLET: 'P' trap 180 up
from floor to middle of outlet

MECHANISM TYPE: Geberit TM 4.5/3L

COLOUR: White

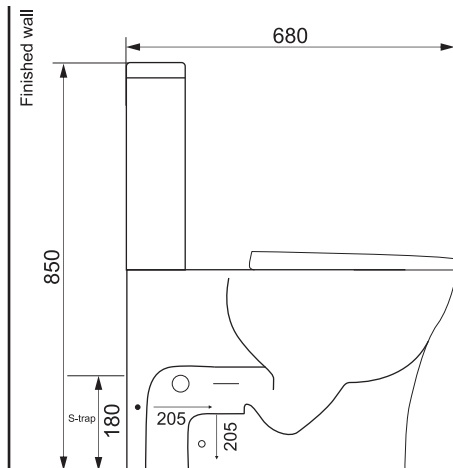
SEAT COVER: UF Heavy Duty

SEAT COVER HINGES: Quick-Release

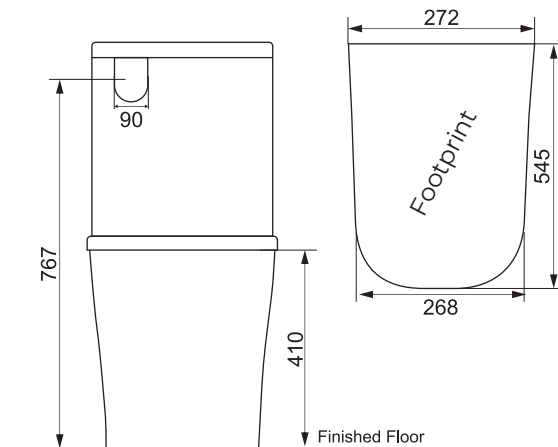
PAN FIXING: floor screw

PAN TYPE: Rimless V2.0

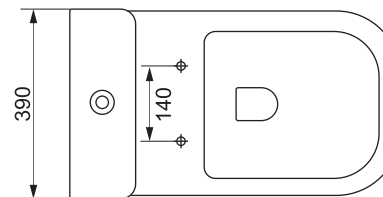
CERAMIC COATING: Nano Glaze



Side View



Front View



Top View

All measurements are provided in millimeters. For ceramic products, please allow a tolerance of +/- 5 mm due to manufacturing variances. For final specifications, always refer to the actual product measurements, as technical drawings may show slight discrepancies. November 2024.

